

LED Traffic Equipment

Traffic Control



ALTON *RAY* Co.

Traffic Countdown Timer

The link between road and driver

Using latest LED Technology, Traffic Countdown Timer is another innovative product from Alton Ray Company.

This product is designed to help motorists understand and be informed of the remaining time of the red & green phase.

The microprocessor based design provides intelligence to the countdown and can be interfaced with any traffic signal controller.

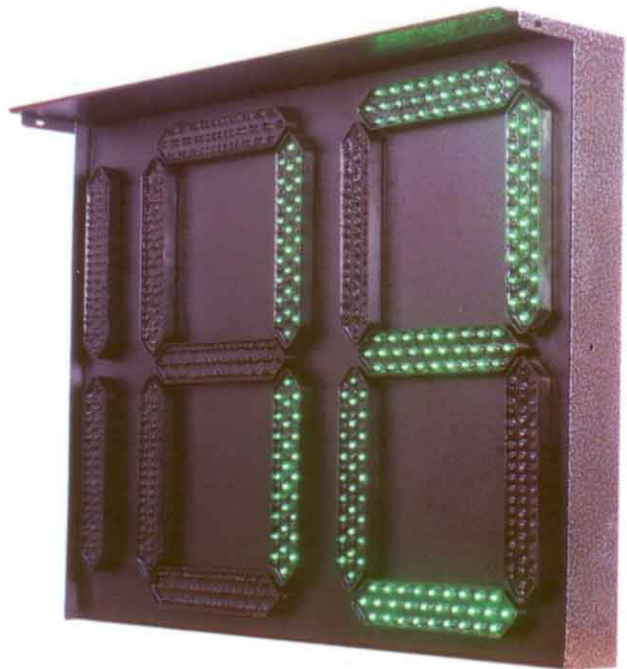
The Countdown Timer will display the number in green color during the green phase and red color during the red phase.

Features

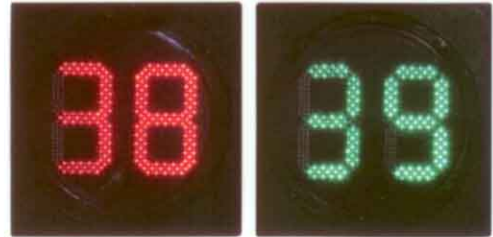
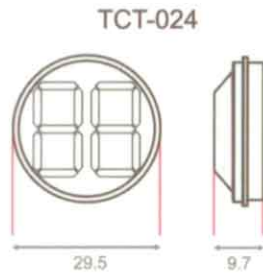
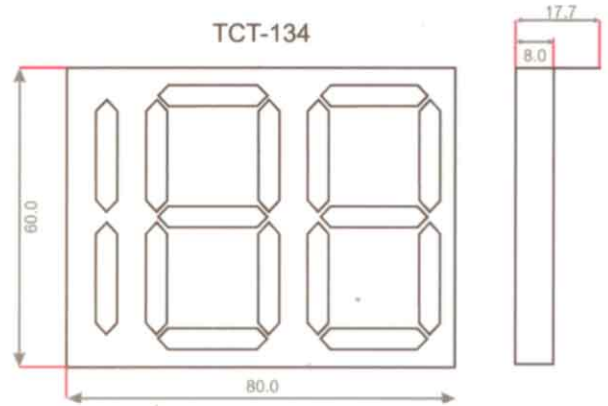
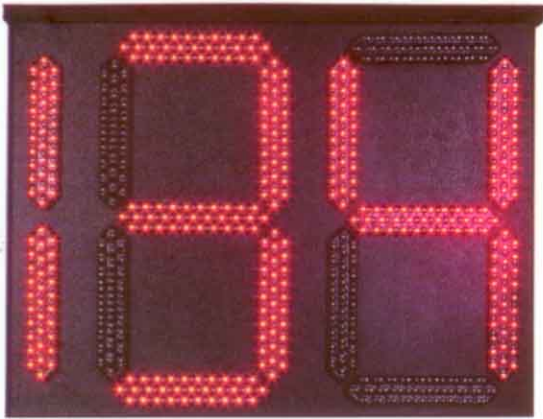
- Long life
- Moisture and dust resistant (IP 65)
- Automatically adjustable light intensity. (light intensity > 4000 cd/m²)
- Countdown Timer can receive a trigger input front the controller and display for the last 7 second. (option - 'trigger port')
- Countdown Timer can adapt to flashing red or yellow

Benefits

- Improves safety of the traffic junctions.
- Reduces congestion.
- Use high brightness LED to provide high luminosity.
- Reduce the number of cars applying emergency brakes at the stop - line when the signal turns red.



Mechanical outline



Product information

Model	Dimension (mm)	Digital	Char. Pitch (mm)	Weight (Kg)	Voltage (AC)	Power (w)
TCT-134	800*600	2.5	333	18	230V-50Hz	42
TCT-024	300*300	2	114	2.5	230V-50Hz	12



ALTON RAY Co.
 No. 16 - Nader St.-Tohid Av.
 Tehran - Iran
 Tel: +98 -21 66 93 49 00
 +98 -21 66 56 90 03
 +98 -21 66 56 90 04
 +98 -21 66 92 98 68
 +98 -21 66 90 09 91
 +98 -21 66 91 88 42
 +98 -21 66 92 63 24
 Fax: +98 -21 66 42 21 24
 www.altonray.com
 Email : info@altonray.com

