

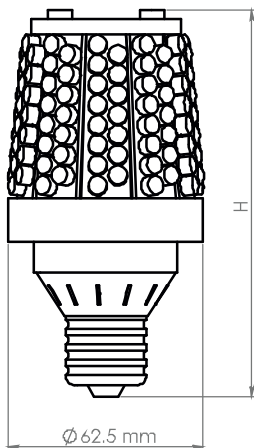
LED Air Obstruction Lights

With using latest LED technology, Alton Ray Company has designed its new product "LED Air Obstruction Light".

Typical applications for LED air obstruction light include water towers, cellular phone towers, antennas, smoke stacks, skyscrapers and airport perimeter fencing.

LED air obstruction lights have long life up to 100,000 hours and reduce maintenance costs.

LED air obstruction lights are available in 24 VDC, 48 VDC and solar versions.



Technical Specifications:

- Life time: 100,000 hours
- Available in 24VDC , 48VDC
- Low maintenance costs
- High Bright LEDs with viewing angle of 180°
- It can work with solar energy
- Its body is made of over glazed metal
- Polycarbonate glasses
- Moisture, dust and vibration resistant
- Easy and fast installations
- Viewing angle of 360°
- E27 lamp nuts
- Porcelain nuts
- Different colors and Different LED quantity
- Input voltage 170 VAC - 240 VAC
- Warranty: 1 year

Product information

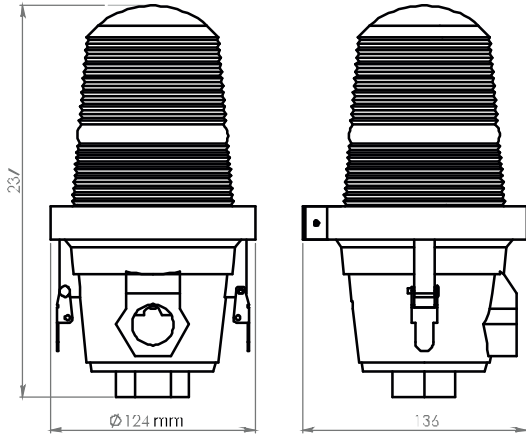
Model	LL5-RA	LL10-RB	LL15-RC	LL5-WA	LL10-WB	LL15-WC
Color	Red	Red	Red	White	White	White
Quantity of LEDs	50	100	150	50	100	150
luminous intensity (Lm)	70	130	140	170	320	460
Energy consumption (W)	4	8	8	4	8	8
Height (H)	125	125	132	125	125	132

Solar LED Air Obstruction Lights

- Change of luminous intensity of lamp with wavelength of PWM in case of low battery voltage.
- Ability of providing energy of lamp for 7 days in case of outage of solar cells.
- Preventing from damages to the battery in case of energy leakage.
- Eliminating the modification impact on battery and solar cell voltage.
- Ability of flashing unlimited flashing light simultaneously.
- Preventing from inordinate charging of battery.
- Working in flashed form
- Battery capacity: 9.0 Ah
- Battery life time: 3 years
- Warranty: 18 months
- Moisture, dust and vibration resistant.
- Power: 10 Watt
- Life time: 10 years



Dimension



LED Air Obstruction Lights with photocell and flasher

- Reducing power consumption to 8 watt
- Can be operated steady or flashed
- Turn on automatically in case of darkness
- Adjustment of flashing frequency
- Adjustment of photocell sensitivity
- Input voltage: 170VAC - 240 VAC



ALTON RAY Co.

Şemsettin Günaltay Cad
İkbal Apt - No:130 - Daire :
10 - Kat : 3
Erenköy - Kadıköy
İstanbul - Turkey

Tel : 0090 216 362 8666

216 362 0869

Fax : 0090 216 362 8868

Gsm : 0090 530 315 3230

www.altonray.com

Email: info@altonray.com



www.altonray.com